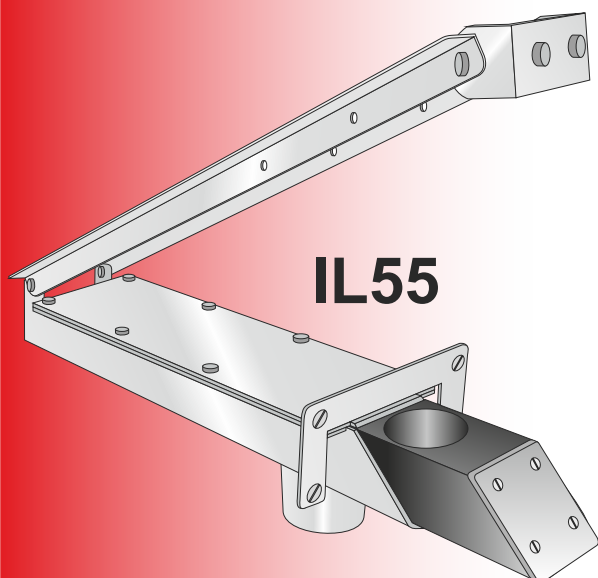


# IN-LINE SAMPLING

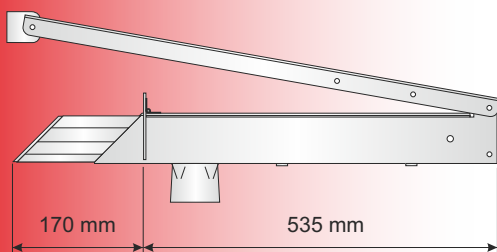


**IL55**

## SPECIFICATIONS

<b>Electricity Supply :</b>	110/240V AC
<b>Control Circuit :</b>	24V DC
<b>Sample Collector :</b>	60 Dia x 60 Depth (mm)
<b>Volume:</b>	172 cm <sup>3</sup>
<b>Installation :</b>	Easy to install, bolt on fixing for square or round ducts *
<b>Maintenance :</b>	None
<b>Construction :</b>	304 Grade Stainless Steel
<b>IP Rating:</b>	IP54

## Dimensions :



Complies with Council Directive 2006/95/EEC for Low Voltage Directive.

\* Round ducts must have a minimum radius of 1 metre otherwise duct adapters are available upon request.

# SAMPLEX®

reliable sampling solutions

## Versatile In-Line Sampling

The IL55 Sampler provides a versatile and low cost means of automated sampling. Powered by a 24v DC actuator the sample collector enters the product and collects a sample. The sample collector then returns and empties the product through the outlet spout below.

**Capable of sampling from static loads as well as free flowing products.**

**Operates entirely from 24volt DC electrics, no requirement for compressed air.**

**Will sample a varied range of products from free flowing powders to pellets up to 20mm dia.**

**Fully programmable via PLC Unit**

**Advantages of automating the practice of sampling by using the IL55 :**

1. Repeatable sampling is guaranteed.
2. The same volume of sample is taken to enable accurate comparison of results.
3. Reduction in labour input = reduction in human error.
4. Minimisation of Health and Safety risks associated with manual sampling.
5. Sample can be collected via a gravity feed flexible pipe.

Full Specification available at

**Web:** [www.tekpro.com](http://www.tekpro.com)

**Email :** [info@tekpro.com](mailto:info@tekpro.com)

**Tel :** +44 (0) 1692 403403

**Fax :** +44 (0) 1692 404955

TekPro Limited - Willow Park - North Walsham - Norfolk - NR28 0BD - UK

**TEKPRO®**

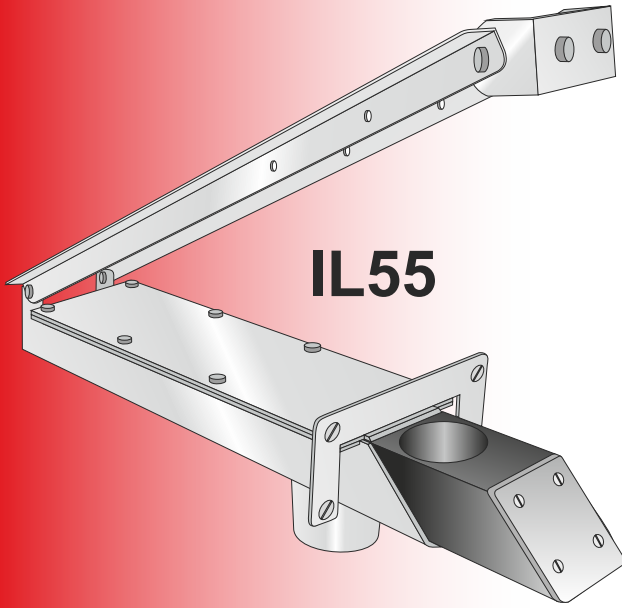
# IN-LINE SAMPLING



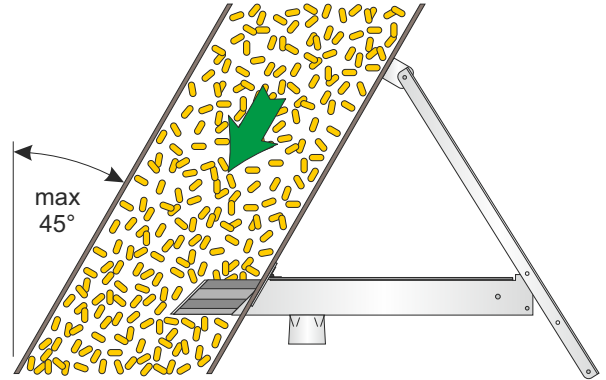
reliable sampling solutions

## Versatile In-Line Sampling

The hinged adjustable mounting bracket allows for installation not only into vertical ducts but ducts angled up to 45°.



**IL55**



### CONTROL :

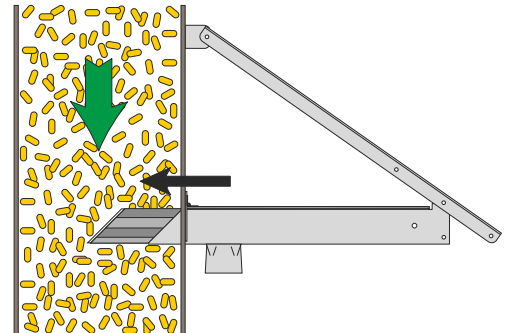
Programmable PLC Unit with manual single sample operation and fully automatic sequence timer.

Time between samples is variable from 1 minute to 9999 minutes.

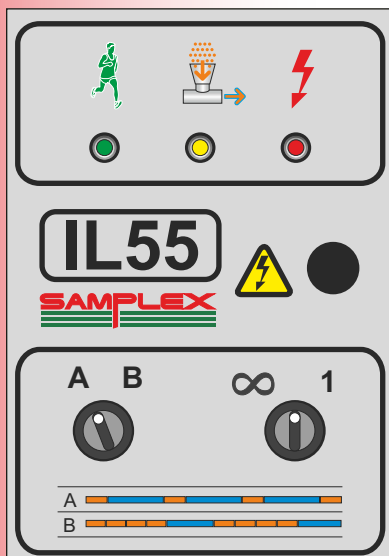
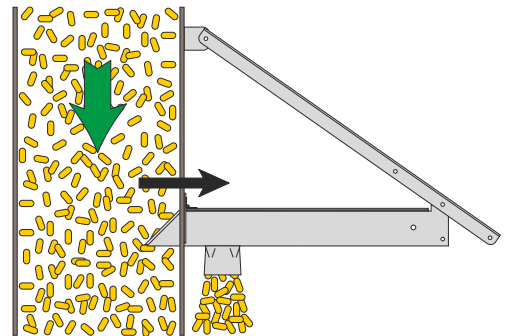
Time in product (sampling time) is variable from 10 seconds to 9999 seconds.

The Control Unit has the ability to be interfaced with existing mill control systems.

Powered by 24volt DC, the IL55 sample collector enters the material flow and catches a sample.



The sample collector then returns, emptying the sample through the chute below.



Full Specification available at

**Web:** [www.tekpro.com](http://www.tekpro.com)

**Email :** [info@tekpro.com](mailto:info@tekpro.com)

**Tel :** +44 (0) 1692 403403

**Fax :** +44 (0) 1692 404955

TekPro Limited - Willow Park - North Walsham - Norfolk - NR28 0BD - UK

